

SPI MATRIX

SPI Matrix supports 6 Art-Net universes per output, which is 24 Art-Net universes in total. You can use one more universe per DMX out. SPI Matrix is able to control RGB/RGBW addressable LEDs.



Controls over

Art-Net™/sACN

You are able to control SPI Matrix over any Art-Net hardware device or software which can generate Art-Net/sACN signal.

DMX

Use DMX512 standard to control and trigger your RGB/RGBW LEDs. SPI MATRIX supports 3-pin DMX connector.

Stand-alone

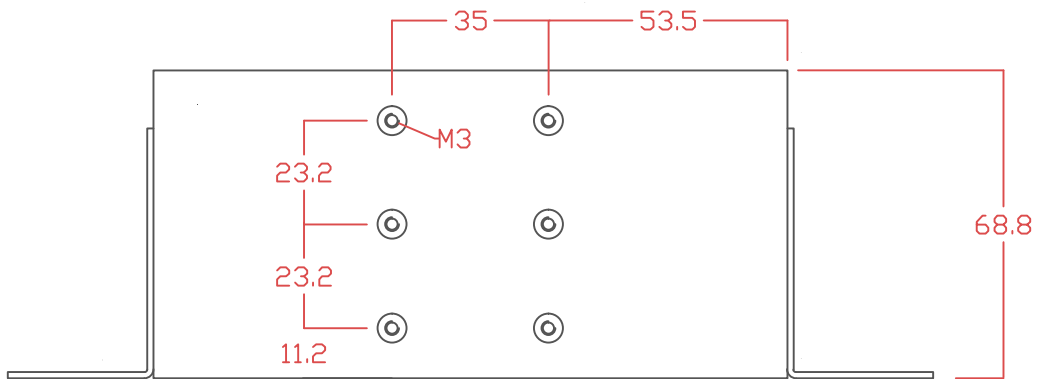
This mode allows you to control LEDs over SD-card and you don't need any kind of software to control it. Supported trigger modes: buttons, DMX, Art/Net, DIP Switch, HTTP and other.

Technical specification

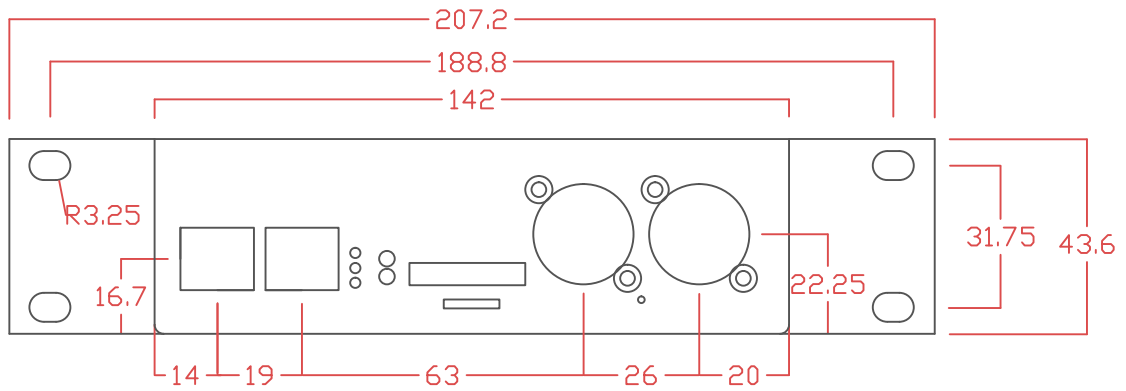
Maximum of RGB/RGBW LEDs	4096/3072
SPI LED Outputs	4
Maximum of RGB/RGBW LEDs per Output	1024/768
Required Input	5-24V/ 0.3A (PCB only, without the LED strips / LED pixels)
Maximal Current	10A
Power connector	standard 4 pin terminal with 5mm contact spacing e.g. SH04-5-GY
SPI OUT connector	standard 4 pin terminal with 5mm contact spacing e.g. SH04-5-GY
DMX input connector	XLR 3-pin connector (optional 5 pin)
DMX output connector	XLR 3-pin connector (optional 5 pin)
Ethernet	2x RJ-45 connector, internal switch, 100 Mbit/sec
SD Card	Micro SD Card (FAT32, up to 32 GB)
Dimensions	142 x 69 x 44 mm (without mounting brackets)
Weight	468,8 g

SPI MATRIX package includes mounting brackets and DIN rail mount.

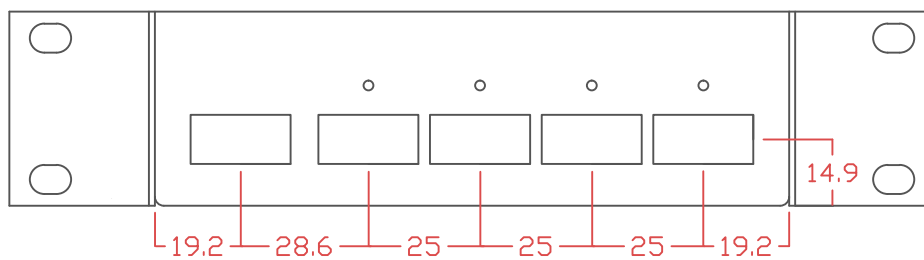
Dimensions



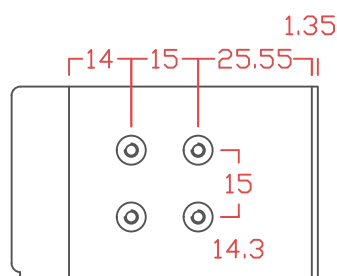
Bottom View



Front View



Back View



Side View