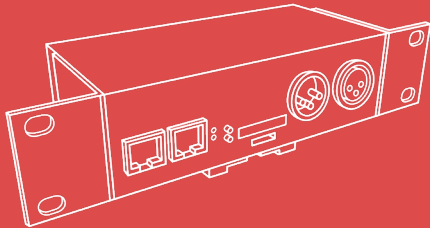


LEC 3

LED ETHERNET CONTROLLER 3



QUICK START GUIDE

 **LED STRIP STUDIO**
designed by  **SHOWTACLE**

FOLLOW US ON YOUR FAVORITE SOCIAL NETWORK!



facebook.com/**ledstripstudio**



twitter.com/**ledstripstudio**



instagram.com/**ledstripworld**



youtube.com/**showtacle**



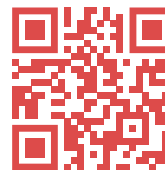
LSS SOFTWARE

Download the latest version of **LED Strip Studio Software** via QR code below or from our website www.ledstripstudio.com



USER MANUAL

To **get started with LEC 3** download the user manual via the QR code below



www.ledstripstudio.com/download/user-manuals/LEC3_SPI_Matrix_Powered_user_manual.pdf



TECHNICAL SPECIFICATION

Max. of RGB/RGBW LEDs	4096 / 3072
SPI LED Outputs	4
Max. RGB/RGBW LEDs per Output	1024 / 768
Power	5 - 24 V DC
Dimensions	142 x 69 x 44 mm



for more info **scan the QR code** or visit www.ledstripstudio.com/led-ethernet-controller-3/



SUPPORT

Our technical support team is dedicated to resolving your issues as quickly and efficiently as possible.

Contact us by phone:
+421 (2) 20 283 002
or via email:
info@ledstripstudio.com



LED STRIP STUDIO
Universal LED Solutions



SPI LED Controller
Compact Stand-Along Controller



SPI MATRIX
Art-Net LED Controller



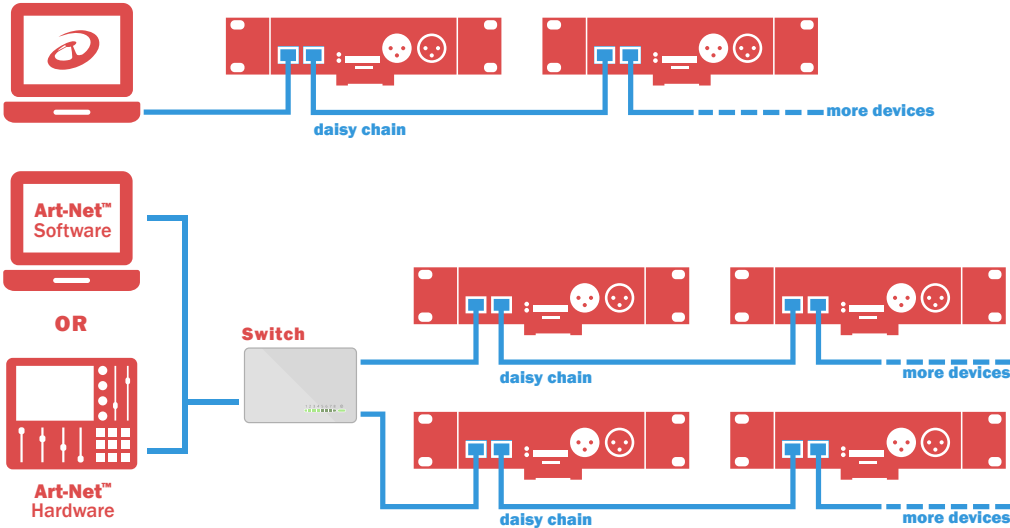
POWERED LEC
Digital LED Dimmer



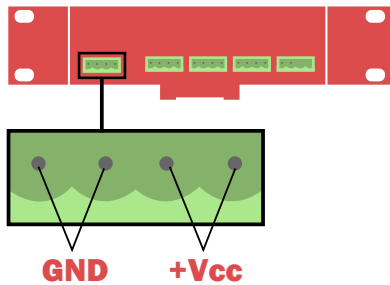
MR. DIMMER
Analog LED Dimmer

1. OPTIONAL CONFIGURATION

LEC 3 can be connected to your PC/Console directly or via switch



2. POWER

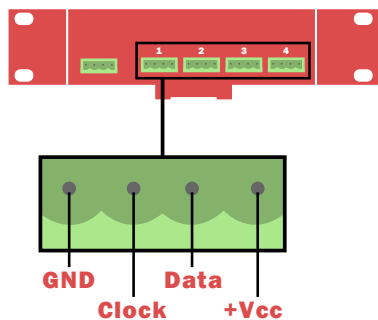


Recommended power input current
5-24 V DC

ATTENTION

To avoid voltage burnout of LEDs use the same voltage for both LEDs and LEC 3.

3. CONNECTING LEDs



Supported IC types:
WS, TM, APA and SK family

ATTENTION

Follow the order of pinout.

CONTROL OVER SOFTWARE

1. PC IP configuration

For setting up the IP of your computer visit www.ledstripstudio.com/pc-ip-configuration where you can find step-by-step tutorial.

2. Activate LED Strip Studio Software

Send the id number of our product to info@ledstripstudio.com. We will send you the activation key immediately.

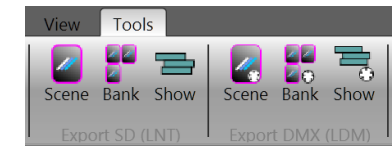
WEB CONFIGURATION

For web configuration enter the IP address of your device into the web browser. The default IP address is **192.168.1.147**

192.168.1.X | username **admin**
X=147 (by default) | password **admin**

CONTROL OVER SD-CARD

1. Create effects in **LED Strip Studio Software**
2. Export effects on an SD-card
3. Use buttons for switching effects



You can export the effects in .LNT or .LDM format.

CONTROL OVER DMX

Use DMX as a trigger.

1. Create effects in **LED Strip Studio Software**
2. Export effects on an SD-card
3. Use DMX for switching effects

DMX Order	Property	Example
1	Brightness	255
2	Animation	1
3	Animation speed (default is 128)	128
4	Red	0
5	Green	0
6	Blue	0
7	White	0

CONTROL OVER ART-NET™

This mode is automatically activated if there is **Art-Net signal** coming over Ethernet to LEC 3 device.

There are two ways of controlling LEC 3 over Art-Net:

1. Pixel mode

Use LEC3 as a direct digital pixel output for your favorite Art-Net software (e.g. Madrix, MadMapper, MA Grand lightning consoles, ...).

2. SD-Card mode

Use Art-Net as a trigger.

Art-Net Order	Property	Example
1	Brightness	255
2	Animation	1
3	Animation speed (default is 128)	128
4	Red	0
5	Green	0
6	Blue	0
7	White	0

CONTROL OVER DIP SWITCH

Dip switch serves for manual setup of the device's IP address. If the value equals 0 the IP address can be setup via **Web Configuration**.



Dip switch in Web Configuration setup

In case of any further questions, download LEC 3 user manual from www.ledstripstudio.com/download/user-manuals/LEC3_SPI_Matrix_Powered_user_manual.pdf